



# Lasertack New Laser Generation

**AO-L-1064** /1~1500μJ/1~5W



## LD PUMPED ALL-SOLID-STATE AOM Q-SWITCHED LASER

All solid state AOM Q-switched laser at 1064 nm has the features of high peak power, high repetition rate, and short pulse duration, which is used in laser inner cover, laser marking, scientific research and so on.

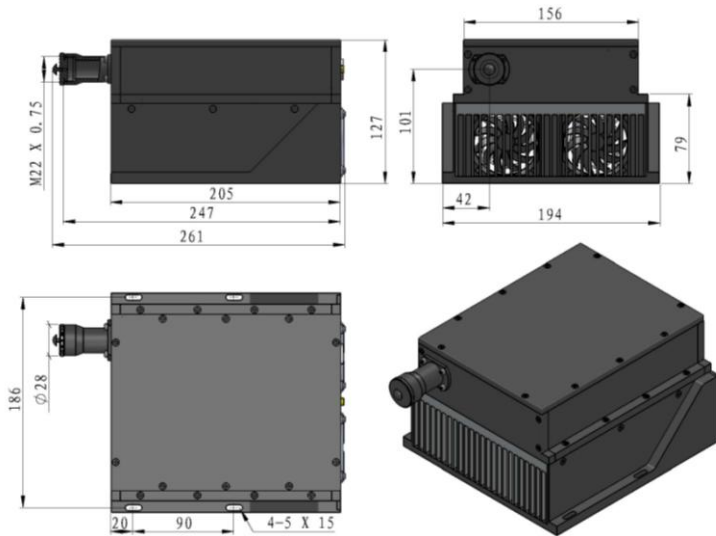


### SPECIFICATIONS

|   | AO-L-1064- I   | AO-L-1064- II                         | AO-L-1064-III                        |
|---|--|---------------------------------------|--------------------------------------|
| Wavelength (nm)                                       | 1064±1   |                                       |                                      |
| Operating mode  | Acousto-Optics Q-switched                                      |                                       |                                      |
| Average power (W)                                     | 0.001~1W (1W@1kHz)   | 1~5W (5W@10kHz)                       | 1~5W (5W@10-200kHz)                  |
|   | Average power (W) = Single pulse energy (mJ) * Rep. rate (kHz) |                                       |                                      |
| Single pulse energy (μJ)                              | 1~1500 (1500μJ @ 1Hz; 1000μJ @ 1kHz)                           | 1~1000 (1000μJ @ 1kHz; 500μJ @ 10kHz) | 1~500 (500μJ @ 10kHz; 50μJ @ 100kHz) |
| Rep. rate (kHz)                                       | 0.001~1kHz   | 1~10kHz                               | 10~200kHz                            |
| Pulse duration (ns)                                   | Typically ~10 @ 1kHz   | Typically ~10 @ 10kHz                 | Typically ~55 @ 100kHz               |
| Peak power (kW)                                       | 1~150 (150kW@1Hz)  | 1~100 (100kW@1kHz)                    | 1~50 (50kW@10kHz)                    |
| Ave power stability (over 4 hours)                    | <1%, <3%, <5%  |                                       |                                      |
| Warm-up time (minutes)                                | <10  |                                       |                                      |
| Beam divergence, full angle (mrad)                    | ~2.5   |                                       |                                      |
| Beam diameter at the aperture (1/e <sup>2</sup> ,mm ) | ~1.0   |                                       |                                      |
| Beam height from base plate (mm)                      | 101  |                                       |                                      |
| Polarization ratio                                    | >100:1   |                                       |                                      |
| Cooled method   | Air cooled   |                                       |                                      |
| Operating temperature (°C)                            | 10~35  |                                       |                                      |
| Power supply (220/110VAC)                             | PSU-AOM(3U)  |                                       |                                      |
| Expected lifetime (hours)                             | 10000  |                                       |                                      |
| Warranty period                                       | 1 year   |                                       |                                      |

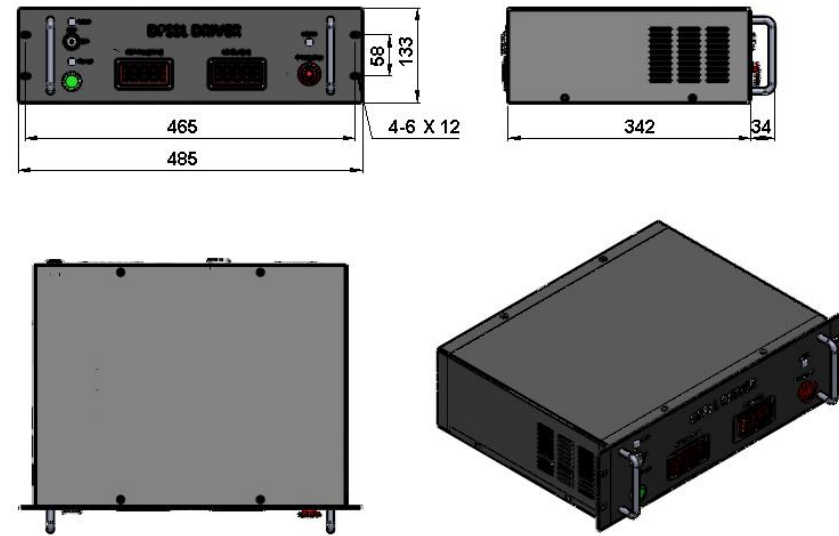


AO-L-1064



261(L) ×194(W) ×127 (H) mm<sup>3</sup>, 5.4 kg

PSU-AOM(3U)



485(L) ×376(W) ×133 (H) mm<sup>3</sup>, 13.2 kg