



Lasertack

New Laser Generation

AO-V-1064 /1~600μJ/1~20W



SPECIFICATIONS

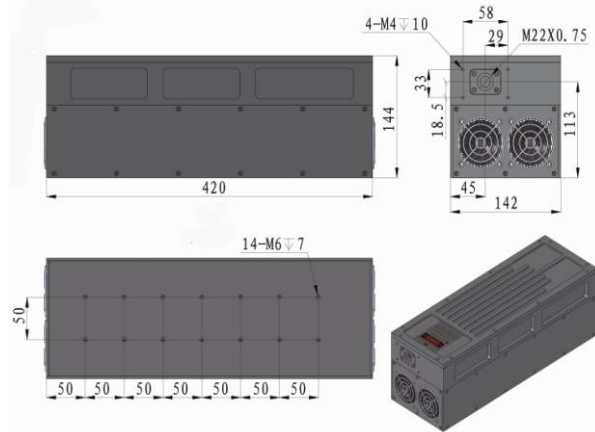
Wavelength (nm)	1064±1					
Operating mode	Acousto-Optics Q-switched					
Average power (W, @30kHz)	1~8W	1~10W	1~12W	1~15W	1~18W	1~20W
	Average power (W) = Single pulse energy (mJ) * Rep. rate (kHz)					
Single pulse energy (μJ)	1~250	1~300	1~400	1~500	1~600	1~660
Rep. rate (kHz)	1~200					
Pulse duration (ns)	Typically ~25 @30kHz, varies from power and repetition.					
Peak power (kW, @30kHz)	1~10	1~13	1~15	1~20	1~25	1~30
Ave power stability (over 4 hours)	<1%, <3%, <5%					
Warm-up time (minutes)	<10					
Beam divergence, full angle (mrad)	<1.5					
Beam diameter at the aperture (1/e ² ,mm)	~2.0					
Beam height from base plate (mm)	113					
Polarization ratio	>100:1					
Cooled method	Air cooled					
Operating temperature (°C)	10~35					
Power supply (220/110VAC)	PSU-AOM(3U)					
Expected lifetime (hours)	10000					
Warranty period	1 year					
Pilot light (optional)	~5mW @650nm					

LD PUMPED ALL-SOLID-STATE AOM Q-SWITCHED LASER

All solid state AOM Q-switched laser AO-V-1064 has the features of high peak power, high repetition rate, and short pulse duration, which is widely used in marking on harder metals such as Titanium, Inconel, or Tool Steel.

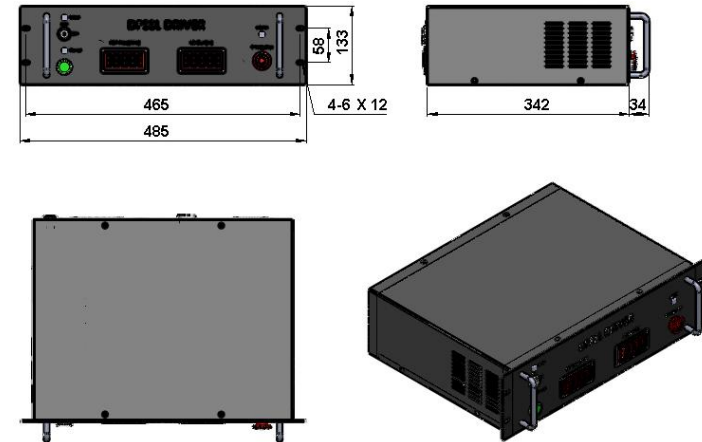


AO-V-1064



420(L)×142(W) ×144(H) mm³, 9.5 kg

PSU-AOM(3U)



485(L) ×381(W) ×133 (H) mm³, 12.5 kg