



# Lasertack New Laser Generation

HPL-1064-QS/100~150W

**WATER COOLING LD PUMPED  
ALL-SOLID-STATE  
1064nm LASER**

All solid state 1064nm infrared laser is made features of high peak power, high repetition rate, and short pulse duration, which is widely used in communication, military , laser medical treatment, scientific experiment,etc.



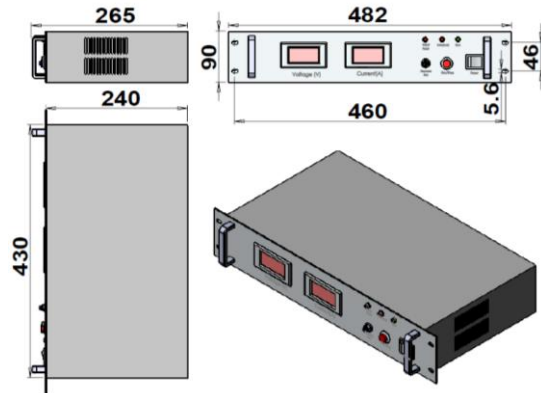
**SPECIFICATIONS**

Wavelength (nm)	1064±1
Average power (W)	100,110,120.....150
Operating mode	Pulse (Q-switched)
Power stability (rms, over 4 hours)	<3%, <5%
Rep. rate (kHz)	10
Pulse duration (ns)	~7
Single pulse energy (mJ)	15@10kHz,150W
Peak power (MW)	~2@10kHz,150W
Beam divergence, full angle (mrad)	<200
Beam diameter at the aperture (mm)	~19.0
Beam height from base plate (mm)	95.0
Operating temperature (°C)	10~35
Power supply (90-264VAC)	PSU-HPL-QS(12U)
Expected lifetime (hours)	10000
Warranty period	1 year

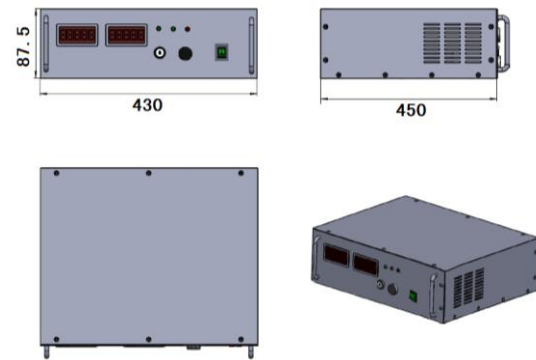


HPL-1064-QS	PSU-HPL-QS(12U)	Water chiller
<p>969×300×190mm<sup>3</sup>, 70kg</p>	<p>PSU-HPL-QS(12U)-1 480 (L) ×351.5(W) ×88(H) mm<sup>3</sup>,13kg</p>	<p>Water chiller 1 505 (L) ×760(W) ×905(H) mm<sup>3</sup>, 95kg</p>

PSU-HPL-QS(12U)

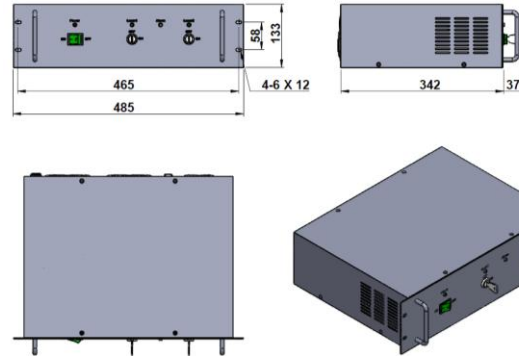


PSU-HPL-QS(12U)-4 482(L)×265(W)×90(H) mm<sup>3</sup>,13kg

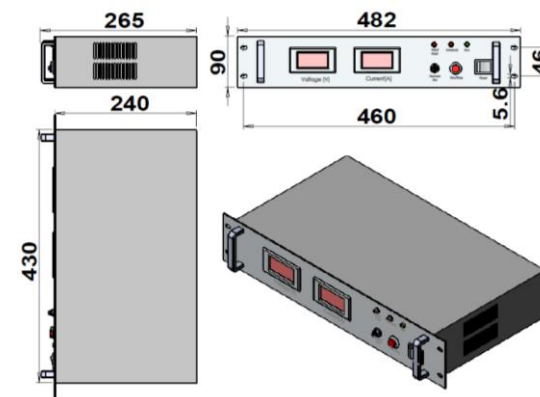


PSU-HPL-QS(12U)-5 430(L)×450(W)×87.5(H) mm<sup>3</sup>,15kg

PSU-HPL-QS(12U)

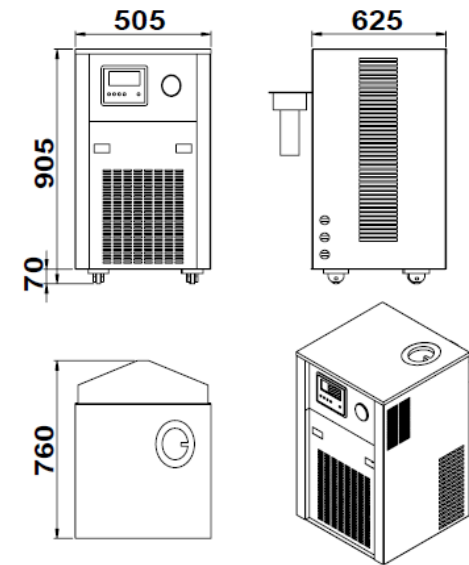


PSU-HPL-QS(12U)-2 485(L)×379(W)×133(H) mm<sup>3</sup>,14kg



PSU-HPL-QS(12U)-3 482(L)×265(W)×90(H) mm<sup>3</sup>,13kg

Water chiller



Water chiller 2 505(L)×760(W)×905(H) mm<sup>3</sup>, 95kg