



Lasertack

New Laser Generation

MPL-H-1064/20~100uJ/500~1500mW



LD PUMPED ALL-SOLID-STATE Q-switched LASER

All solid state Q-switched laser at 1064nm has the features of high peak power, high repetition rate, and short pulse duration, which is widely used in industry (marking on the diamond or stone), teaching of nonlinear optics, experiments of generating 355nm, or 266nm laser, fiber communication, etc.

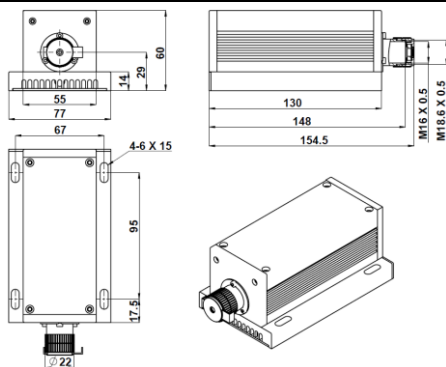


SPECIFICATIONS

Central wavelength (nm)		1064 ± 1
Operating mode		Q-switched pulsed laser
Max average power (mW)	500~1500	~400
Single pulse energy (μJ)	20~100	~40
Pulse duration (ns)	~10	~1.5
Peak power (W)	2000~10000	~27000
Rep. rate (kHz)	Controllable	Specified One rep. rate, such as 1k, 2k, 3k, up to 10kHz, with stable laser pulses emitting (stable pulse energy, peak, duration and period). Different rep. rate in the range of 1Hz-10kHz can be obtained by input an external TTL signal.
	Uncontrollable	Undefined rep. rate among 5k-30kHz and unstable laser pulse emitting. Suitable for the applications only needing high peak power pulses.
Average power (mW)		Average power (mW) = Single pulse energy (μJ) * Rep. rate (kHz)
Ave power stability (over 4 hours)		<1%, <3%, <5%
Transverse mode		TEM ₀₀
Warm-up time (minutes)		<10
M ² factor		<1.5
Beam divergence, full angle (mrad)		<1.8
Beam diameter at the aperture (mm)		~1.5
Beam height from base plate (mm)		29
Operating temperature (°C)		10~35
Power supply (90-264VAC)		PSU-H-FDA
Expected lifetime (hours)		10000
Warranty		1 year
Remarks		UV laser at 266nm or 355nm can be generated by MPL-H-1064 or MPL-H-532 by frequency doubler.

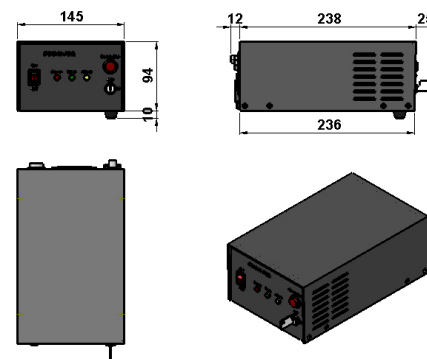


MxL-H-1064



154.5(L)×77(W)×60(H) mm³, 0.9 kg

PSU-H-FDA



236(L)×145(W)×104(H) mm³, 2.3 kg