



Lasertack New Laser Generation

UV-F-261/1~3mW



LD PUMPED ALL-SOLID-STATE CW UV LASER

All solid state 261nm UV laser is made features of ultra compact, cost -effectiveness and easy operating, which is used in DNA sequencing, flow cytometry, cell sorting, optical instrument, spectrum analysis, measurement, physics experiment, laser rapid modeling, etc.

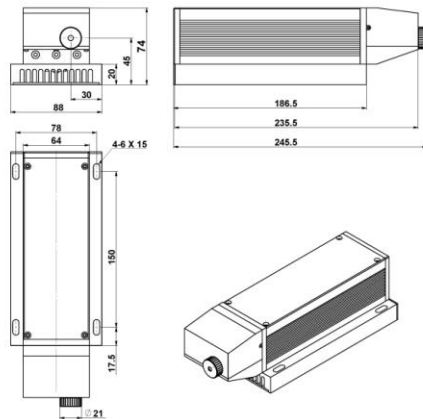


SPECIFICATIONS

Wavelength (nm)	261±1
Operating mode	CW
Output power (mW)	>1, 2, 3
Power stability (rms, over 4 hours)	<10%
Transverse mode	Near TEM ₀₀
M ² factor	<2.0
Dimensions of beam at the aperture (mm)	~2.0
Polarization ratio	>50:1 (Horizontal)
Warm-up time (minutes)	<10
Beam height from base plate (mm)	45
Operating temperature (°C)	10~35
Power supply (90-264VAC)	PSU-H-FDA
Expected lifetime (hours)	5000
Warranty	1 year

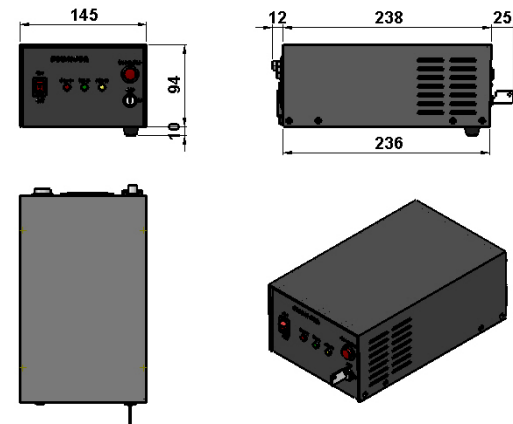


UV-F-261



245.5(L)×88(W)×74(H) mm³, 2.0 kg

PSU-H-FDA



236(L)×145(W)×104(H) mm³, 2.3 kg