



# Lasertack

## New Laser Generation

AO-V-355 /1~150μJ/1~3W



### LD PUMPED ALL-SOLID-STATE AOM Q-SWITCHED LASER at 355NM

All solid state AOM Q-switched laser at 355 nm has the features of high peak power, high repetition rate, and short pulse duration, which is used in scientific research, biology, instrumentation, 3D marking, laser marking, sub-surface engraving and so on.

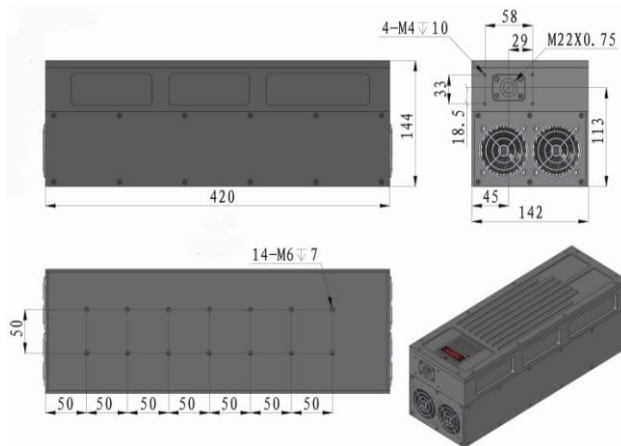


#### SPECIFICATIONS

Wavelength (nm)	355 ±1
Operating mode	Acousto-Optics Q-switched
Average power (W)	1~3W (3W@20kHz)
	Average power (W) = Single pulse energy (mJ) * Rep. rate (kHz)
Single pulse energy (μJ)	1~150μJ (150μJ @20kHz; 50μJ @40kHz)
Rep. rate (kHz)	10~100
Pulse width (ns)	Typically ~15 @20KHz
Peak power (kW)	1~10 (10kW@20kHz)
Ave power stability (over 4 hours)	<3%, <5%, <10%
Warm-up time (minutes)	<10
Beam divergence, full angle (mrad)	<1.0
Beam diameter at the aperture (1/e <sup>2</sup> ,mm)	<1.5
Beam height from base plate (mm)	113
Polarization ratio and Direction	>100:1, Horizontal
Cooled method	Air cooled
Operating temperature (°C)	15~30
Power supply (220/110VAC)	PSU-AOM(3U)
Expected lifetime (hours)	5000
Warranty period	1 year

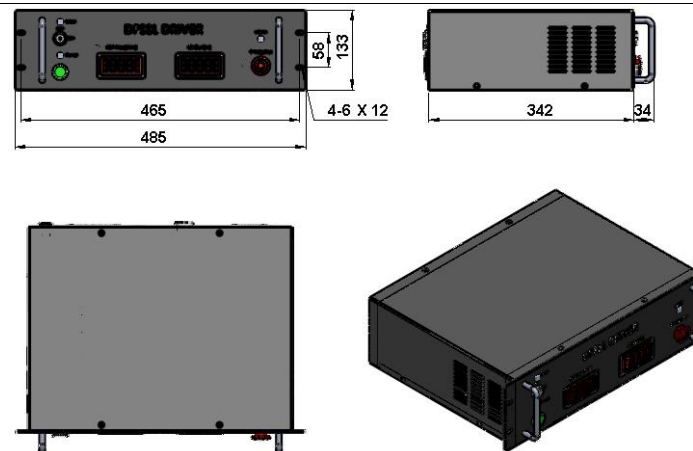


AO-V-355



420(L) x 142(W) x 144(H) mm<sup>3</sup>, 9.5 kg

PSU-AOM(3U)



485(L) x 381(W) x 133(H) mm<sup>3</sup>, 12.4 kg