



Lasertack

New Laser Generation

AO-L-532A / 1~500 μJ / 1~5W



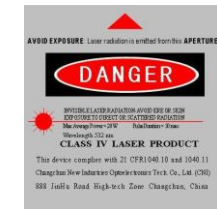
LD PUMPED ALL-SOLID-STATE AOM Q-SWITCHED LASER

All solid state AOM Q-switched laser at 532 nm has the features of high peak power, high repetition rate, and short pulse duration, which is used in laser inner carver, laser marking, scientific research and so on.

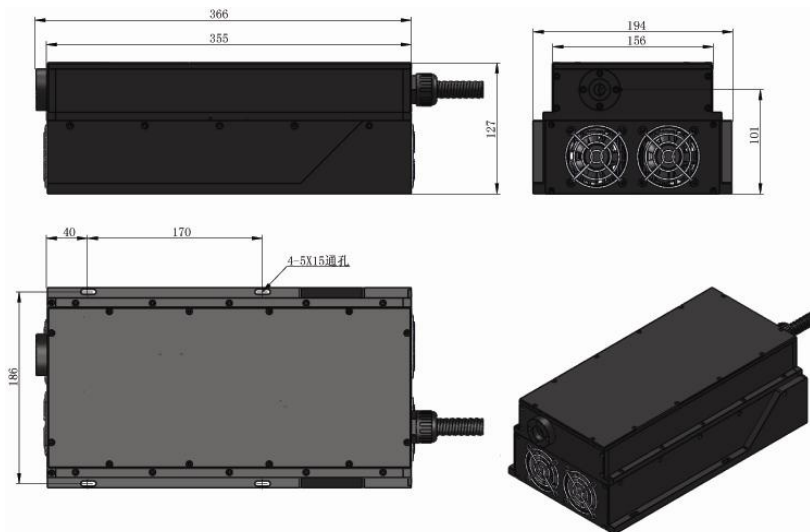


SPECIFICATIONS

Wavelength (nm)	532 ±1
Operating mode	Acousto-Optics Q-switched
Average power (W)	1~5W (5W@10kHz) Average power (W) = Single pulse energy (mJ) * Rep. rate (kHz)
Single pulse energy (μJ)	1~500 (500μJ @5kHz; 500μJ @10kHz; 300μJ @20kHz)
Rep. rate (kHz)	1~20
Pulse duration (ns)	Typically 5~7 @<10kHz, varies from power and repetition.
Peak power (kW)	1~100 (100kW@10kHz)
Ave power stability (over 4 hours)	<1%, <3%, <5%
Warm-up time (minutes)	<10
Beam divergence, full angle (mrad)	~2.5
Beam diameter at the aperture (1/e ² ,mm)	~1.0
Beam height from base plate (mm)	101
Polarization ratio	>100:1
Cooled method	Air cooled
Operating temperature (°C)	10~35
Power supply (220/110VAC)	PSU-AOM(3U)
Expected lifetime (hours)	10000
Warranty period	1 year

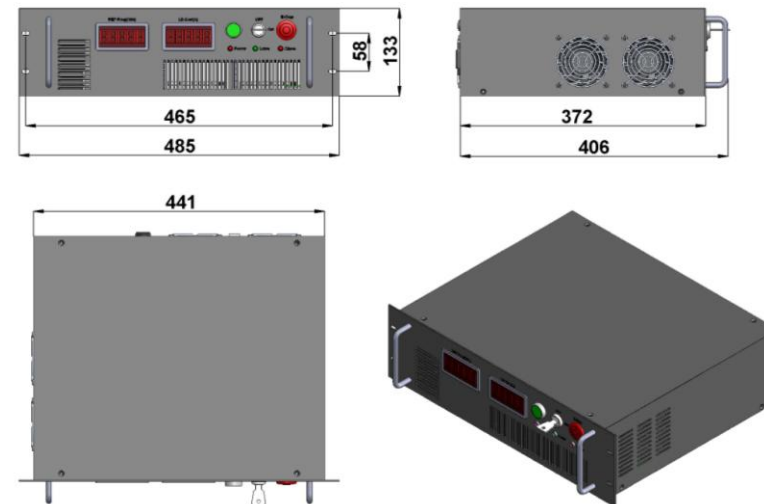


AO-L-532A



366(L) ×194(W) ×127 (H) mm³, 9.5 kg

PSU-AOM(3U)



485 (L) ×406(W) ×133 (H) mm³, 13.1 kg