



Lasertack New Laser Generation

AO-V-532 /1~300μJ/1~8W



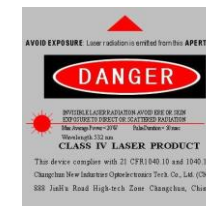
LD PUMPED ALL-SOLID-STATE AOM Q-SWITCHED LASER

All solid state AOM Q-switched laser at 532 nm has the features of high peak power, high repetition rate, and short pulse duration, which is in marking on materials that are hard, such as highly reflective metals: silver and gold; semiconductors: including silicon, gallium arsenide and germanium, and rubbers such as silicone.

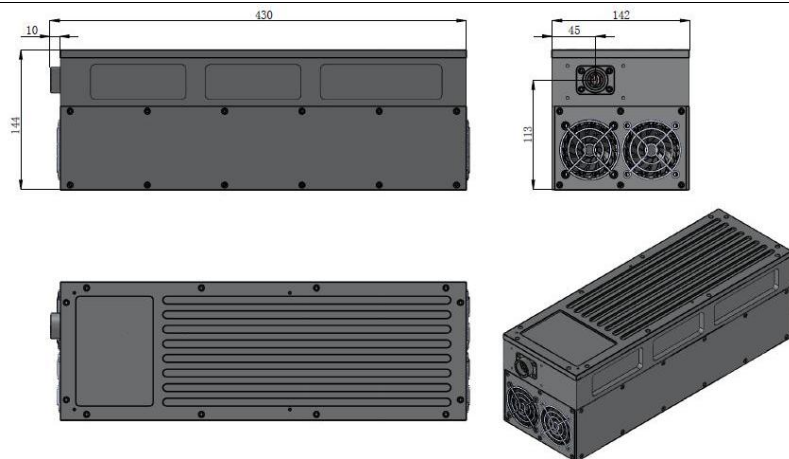


SPECIFICATIONS

| | |
|--|---|
| Wavelength (nm) | 532±1 |
| Operating mode | Acousto-Optics Q-switched |
| Average power (W) | 1~8W (8W@25kHz) Average power (W) = Single pulse energy (mJ) * Rep. rate (kHz) |
| Single pulse energy (μJ) | 1~300 (300μJ @25kHz; 160μJ @50kHz) |
| Rep. rate (kHz) | 1~200 |
| Pulse duration (ns) | Typically <15 @25kHz, varies from power and repetition. |
| Peak power (kW) | 1~20 (20kW@25kHz) |
| Ave power stability (over 4 hours) | <1%, <3%, <5% |
| Warm-up time (minutes) | <10 |
| Beam divergence, full angle (mrad) | <2.0 |
| Beam diameter at the aperture (1/e ² ,mm) | ~1.0 |
| Beam height from base plate (mm) | 113 |
| Polarization ratio | >100:1 |
| Cooled method | Air cooled |
| Operating temperature (°C) | 10~35 |
| Power supply (220/110VAC) | PSU-AOM(3U) |
| Expected lifetime (hours) | 10000 |
| Warranty period | 1 year |

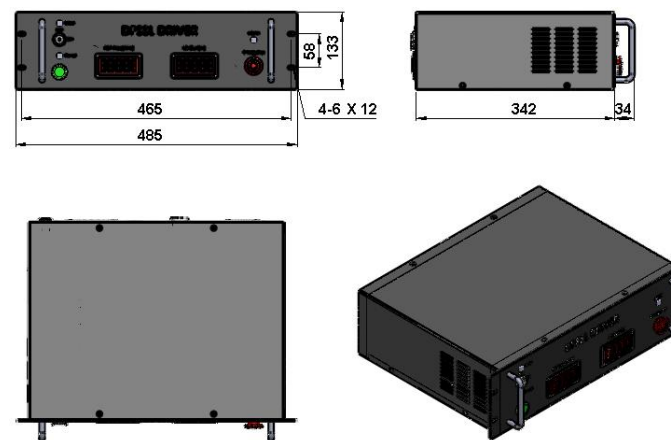


AO-V-532



430(L)×142(W) ×144(H) mm³, 9.5 kg

PSU-AOM(3U)



485(L) ×381(W) ×133 (H) mm³, 12.4 kg