



3.5W 465nm Diode Laser

Absolute Maximum Ratings (Tc=25°C)

Item	Symbol	Absolut max. Ratings	Unit
Forward current(Tc=25°C)	If	3.5	A
Allowable Reverse Current (Tc=25°C)	Ir (LD)	85	mA
Storage Temperature	Tstg	-40 ~ +85	°C
Operating Case Temperature	Tc	0 ~ +65	°C

Optical Characteristics

Item	Condition	Symbol	Min	Typ	Max	Unit
Optical Output Power	If=2.5A	Po	-	3.5	-	W
Dominant Wavelength	If=2.5A	λ_d	460	465	470	nm
Threshold Current	CW	Ith	300	-	550	mA
Operating current	CW	Iop	-	2.5	-	A
Operating Voltage	If=2.5A	Vop	3.7	-	4.9	V
Beam Size (4 σ)	If=2.5A	-	-	4x1	-	mm

Wires

Red = Plus

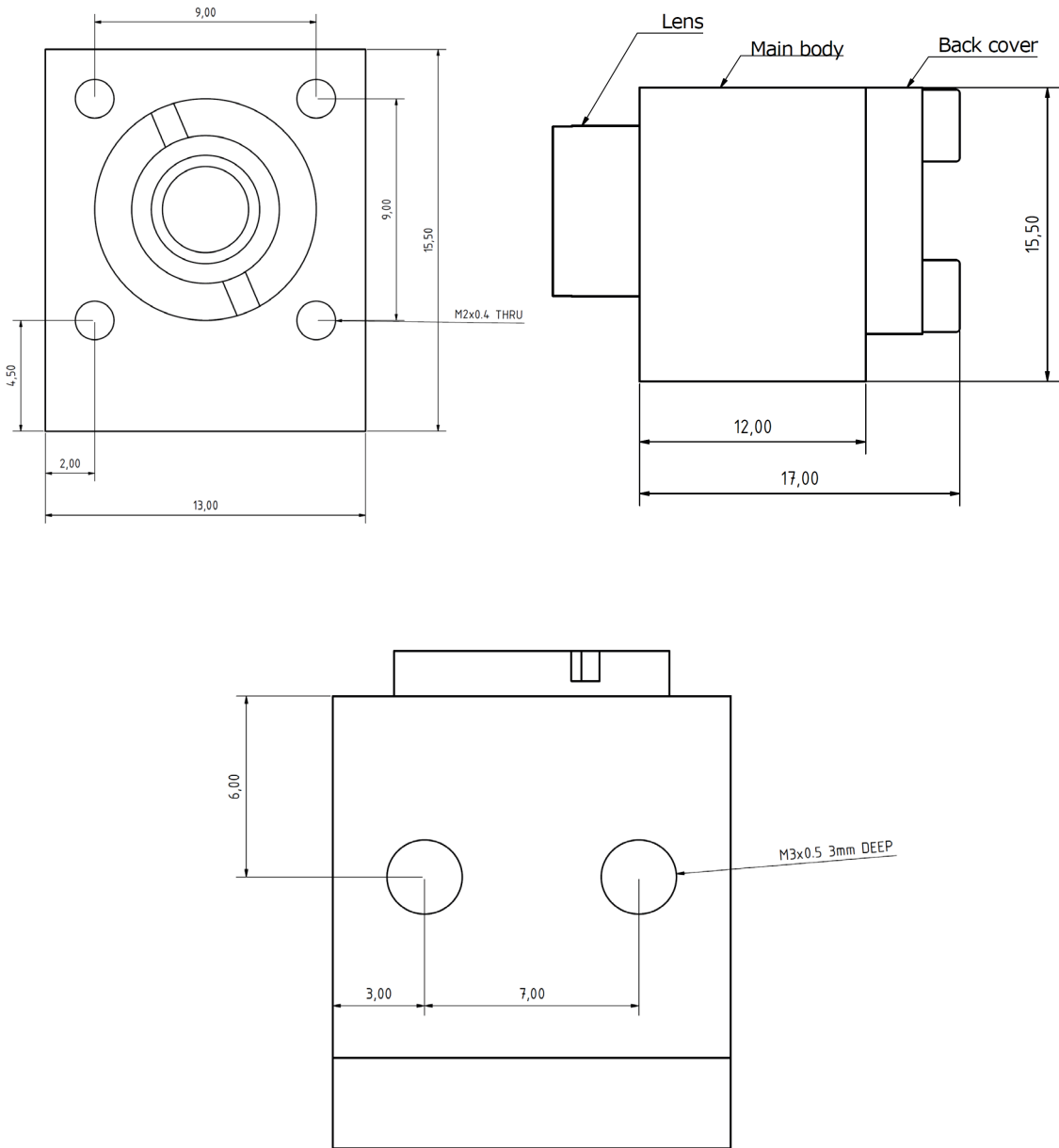
Black = Minus



LDM-462-1400

1.4W 462nm Diode Laser

Dimensions



Connecting wires:

Red: PLUS
Black: MINUS

Lasertack GmbH

Fon: +49 56170562870

Fax: +49 56170562871

Email: info@lasertack.com

Web: www.lasertack.com