



LDM-638-700-C
LDMC-638-700

700mW 638nm Diode Laser

Absolute Maximum Ratings

Item	Symbol	Absolut max. Ratings	Unit
Optical Output power (Tc=25°C)	Po	700	mW
Allowable Reverse Voltage (Tc=25°C)	Vr (LD)	2	V
Storage Temperature	Tstg	-40 ~ +85	°C
Operating Case Temperature	Tc	-20 ~ +60	°C

Optical Characteristics

Item	Condition	Symbol	Min	Typ	Max	Unit
Optical Output Power	If=1000mA	Po	-	700	-	mW
Dominant Wavelength	If=1000mA	λ_d	635	638	643	nm
Threshold Current	CW	I _{th}	-	200	250	mA
Operating Current	CW	I _{op}	-	1000	1100	MHz
Operating Voltage	If=1000mA	V _{op}	-	2.3	2.8	V
Emission Point Accuracy	If=1000mA	$\Delta\theta^\perp$	-5.0	-	5.0	deg.
Beam Size (4 σ)	If=1000mA	-	-	4 x 5* 1 x 4	-	mm
Module Beam Divergence (full angle)	If=1000mA	θ	-	1.7* 6.0	-	mrad

*for modules with beam shaping optics

Wires

Red = Plus

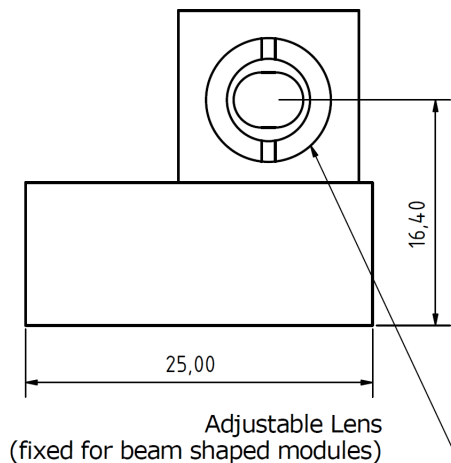
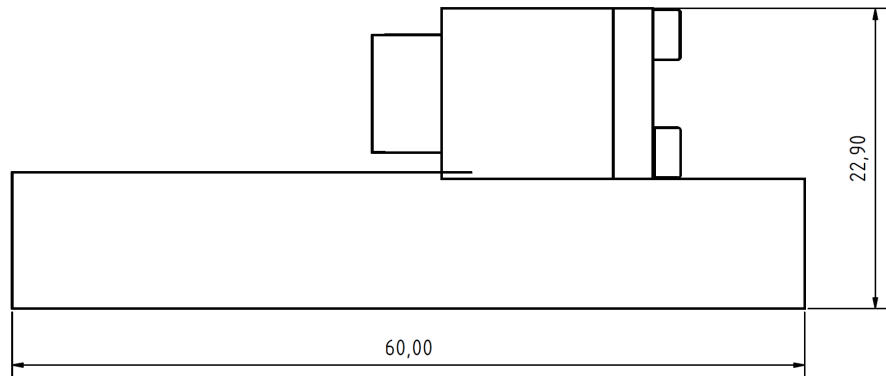
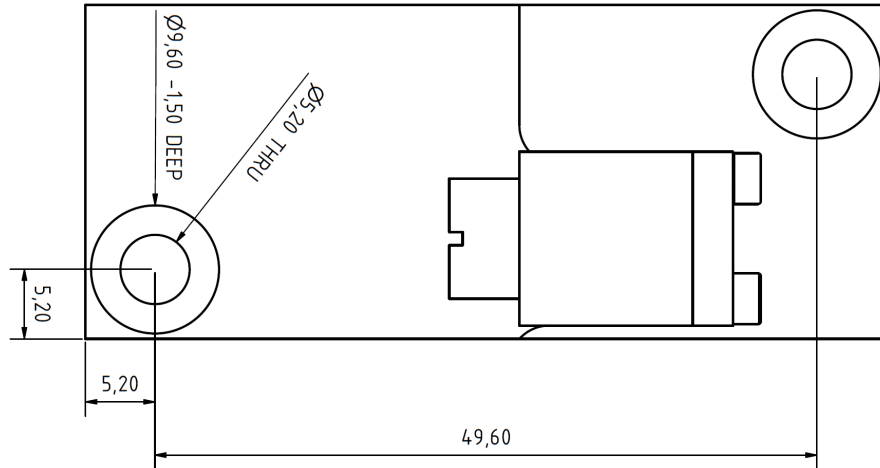
Black = Minus



LDM-638-700-C
LDMC-638-700

700mW 638nm Diode Laser

Dimensions



Connecting wires:

Red: PLUS
Black: MINUS

Lasertack GmbH

Fon: +49 56170562870

Fax: +49 56170562871

Email: info@lasertack.com

Web: www.lasertack.com