



Lasertack

New Laser Generation

OEM-S-1064/1~1500mW



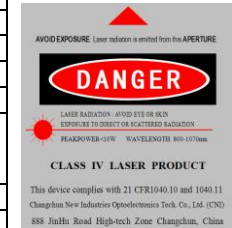
LD PUMPED ALL-SOLID-STATE INFRARED LASER AT 1064 nm

All solid state infrared laser at 1064 nm is made features of ultra compact, small size, wide operating temperature, good sealing, long lifetime, low cost and easy operating, working under the pressure of 0.02kPa, which is used in scientific experiment, measurement, optical instrument, optical sensor, communication, spectrum analysis, etc.

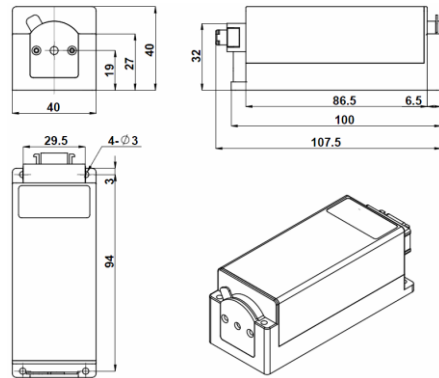


SPECIFICATIONS

Wavelength (nm)	1064±1	
Operating mode	CW	
Laser crystal	Nd:YVO ₄	
Output power (mW)	>1,5,10,...,400	>400,500,...,1500
Power stability (rms, over 4 hours)	<1%, <3%, <5%	
Transverse mode	TEM ₀₀	
M ² factor	<1.2	<1.5
Beam diameter at the aperture(1/e ² ,mm)	1.00±0.05	1.20±0.05
Beam divergence, full angle (mrad)	<1.7	<1.8
Polarization ratio	>100:1 Horizontal±5 degree (Vertical Optional)	
Pointing stability after warm-up (mrad)	<0.05	
Pointing stability Over Temp. (μrad/°C)	<8	
Warm-up time (minutes)	<5	
Beam height from base plate (mm)	19	
Power Consumption(W)	<40	
Shock Tolerance(6ms)	7g laterally, 15g vertically	
IP Rating	IP65	
Power supply (90-264VAC or 5VDC)	PSU-III-OEM-97	
Operating temperature (°C)	10-35	
Max. Heat Dissipation of Head(W)	4W@25°C	
Modulation	TTL on/off, 1Hz-1KHz, 1KHz-10KHz, 10KHz-30KHz; and Analog modulation option	
Expected lifetime (hours)	10000	
Warranty	1 year	

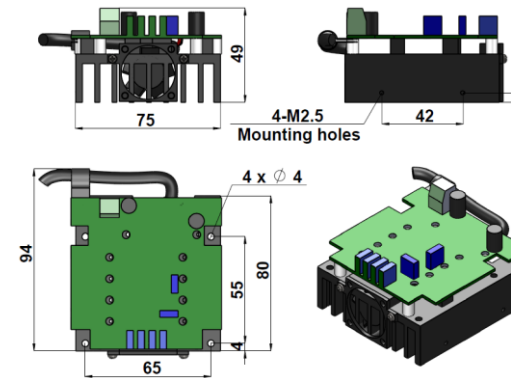


OEM-S-1064



100 (L) × 40 (W) × 40 (H) mm³, 0.41kg

PSU-III-OEM-97



94(L) × 75(W) × 49(H)mm³, 0.23kg