



# Lasertack

## New Laser Generation

UV-F-303/1~5mW



### LD PUMPED ALL-SOLID-STATE CW UV LASER

All solid state 303nm UV laser is made features of ultra compact, long lifetime, cost -effectiveness and easy operating, which is used in DNA sequencing, flow cytometry, cell sorting, optical instrument, spectrum analysis, measurement, physics experiment, laser rapid modeling, etc.

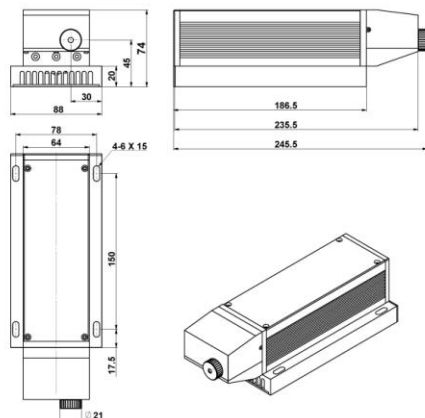


#### SPECIFICATIONS

Wavelength (nm)	303±1
Operating mode	CW
Output power (mW)	>1, 2, ..., 5
Power stability (rms, over 4 hours)	<10%
Transverse mode	Near TEM <sub>00</sub>
M <sup>2</sup> factor	<2.0
Beam diameter at the aperture (mm)	~3.0
Beam divergence, full angle (mrad)	<2.0
Polarization ratio	>50:1 (Horizontal)
Warm-up time (minutes)	<10
Beam height from base plate (mm)	45
Operating temperature (°C)	10~35
Spectral purity	>99%
Power supply (90-264VAC)	PSU-H-FDA
Expected lifetime (hours)	5000
Warranty period	1 year

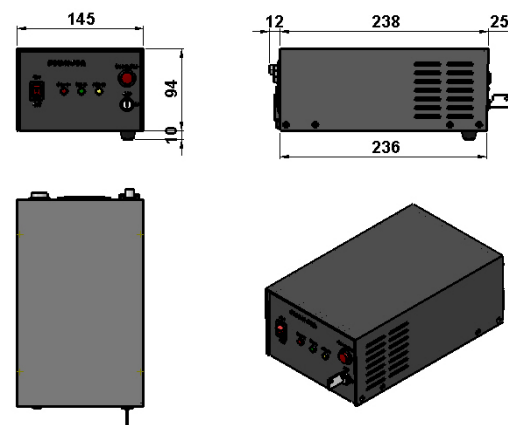


#### UV-F-303



245.5(L)×88(W)×74(H) mm<sup>3</sup>, 2.0 kg

#### PSU-H-FDA



236(L)×145(W)×104(H) mm<sup>3</sup>, 2.3 kg