



Lasertack New Laser Generation

MPL-F-351/0.1~4uJ/1~10mW



LD PUMPED ALL-SOLID-STATE UV LASER

All solid state 351 nm UV laser is made features of ultra compact, long lifetime, low cost and easy operating, which is widely used in UV curing, micro-electronics, CD carving, laser medical treatment, scientific experiment, etc.

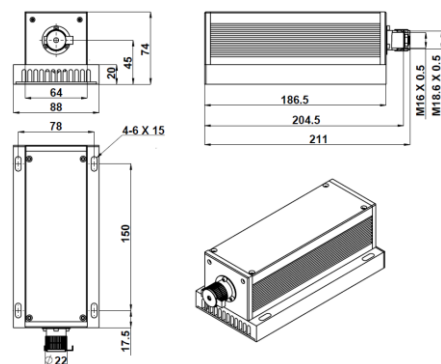


SPECIFICATIONS

| | | |
|---|----------------|--|
| Central wavelength (nm) | | 351±1 |
| Output average power (mW) | | 1~10 |
| Transverse mode | | Near TEM ₀₀ |
| Operating mode | | Frequency conversion of Q-switched pulsed laser |
| Single pulse energy (μJ) | | 0.1~4 |
| Pulse duration (ns) | | ~4 |
| Peak power(W) | | 25~1000 |
| Rep. rate (kHz) | Controllable | Specified One rep. rate, such as 0.1Hz, 100 Hz, 500 Hz up to1kHz, with stable laser pulses emitting (stable pulse energy, peak, duration and period). Different rep. rate in the range of 0.1Hz to1kHz can be obtained by input an external TTL signal. |
| | Uncontrollable | Undefined rep. rate among 2kHz-3kHz and unstable laser pulse emitting. Suitable for the applications only needing high peak power pulses. |
| Average power (mW) | | Average power (mW) = Single pulse energy (μJ) * Rep. rate (kHz) |
| Ave power stability (over 4 hours) | | <5%, <10% |
| Beam divergence, full angle (mrad) | | <1.5 |
| Beam diameter at the aperture (mm) | | ~2.0 |
| Polarization ratio | | >50:1 |
| Pointing stability after warm-up (mrad) | | <0.05 |
| Warm-up time(minutes) | | <10 |
| Beam height from base plate (mm) | | 45 |
| Operating temperature (°C) | | 10~35 |
| Spectral purity | | >99% |
| Power supply (90-264VAC) | | PSU-H-FDA |
| Expected lifetime (hours) | | 5000 |
| Warranty period | | 1 year |
| Remarks | | Please Note: because of the Walk-off effect of Nonlinear crystals, the beam quality of UV laser is not so good as that of 1053/526nm laser. |

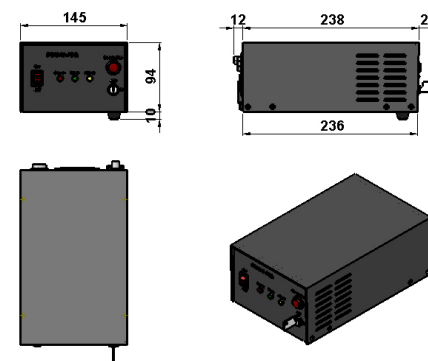


MPL-F-351



211 (L)×88(W)×74(H) mm³, 1.6 kg

PSU-H-FDA



236(L) ×145(W) ×104(H) mm³, 2.3 kg