



**Datasheet**  
**LDM-445-6000**  
**6W 445nm Laser**

**Features**

- High Power
- Small Size
- Long MTF

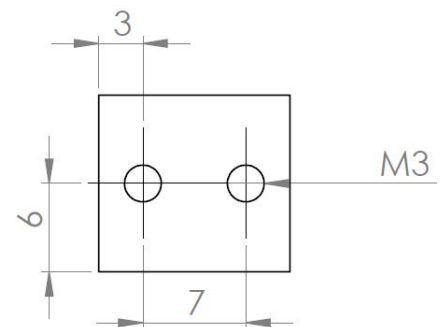
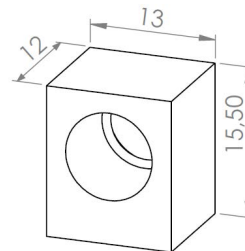
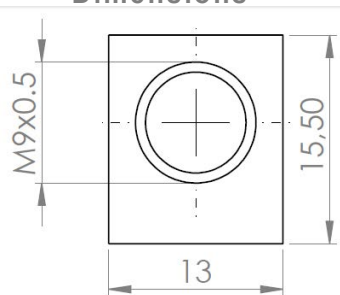
**Absolute Maximum Ratings**

Item	Symbol	Absolut max. Ratings	Unit
Forward Current (Tc=25°C)	If	5.0	A
Allowable Reverse Current (Tc=25°C)	Ir (LD)	85	mA
Storage Temperature	Tstg	-40~85	°C
Operating Case Temperature	Tc	0~50	°C

**Optical Characteristics**

Item	Condition	Symbol	Min	Typ	Max	Unit
Optical Output Power	If=4.5A	Po	5.7	6.0	-	W
Dominant Wavelength	If=4.5A	$\lambda_d$	440	445	450	nm
Threshold Current	CW	I <sub>th</sub>	350	-	500	mA
Slope Efficiency	CW	$\eta$	1.0	-	2.0	W/A
Operating Voltage	If=4.5A	V <sub>op</sub>	3.7	-	5.0	V
Beam Divergence (1/e <sup>2</sup> )	If=4.5A	$\theta_{//}$	7	20	45	deg.
Emission Point Accuracy	If=4.5A	$\theta_{\perp}$	50	65	70	deg.
		$\Delta\theta_{\perp}$	-5.0	-	5.0	deg.

**Dimensions**



Wires (optional)  
 Anschlüsse (optional)  
 Black/Schwarz = Minus  
 Red/Rot = Plus